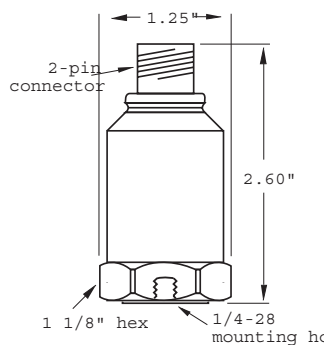


Model 799M Low frequency, high sensitivity, filtered accelerometer



Features

- High sensitivity
- Ultra low-noise electronics for clear signals at very low vibration levels
- Optimized for 15V supply
- Low pass filtered to eliminate high frequencies
- Hermetic seal
- ESD protection
- Reverse wiring protection



Dynamic

Sensitivity, $\pm 5\%$, 25°C.....	1,000 mV/g
Acceleration range	5 g peak
Amplitude nonlinearity.....	1%
Frequency response:	
-5%.....	0.6 - 1,200 Hz
-10%.....	0.4 - 1,600 Hz
-3 dB	0.2 - 2,500 Hz
Resonance frequency	18 kHz
Transverse sensitivity, max.....	5% of axial
Temperature response.....	-50°C -7%
	+80°C +5%

Electrical

Power requirement: voltage source.....	15 - 30 VDC
current regulating diode	2 - 10 mA
Electrical noise, equiv. g:	
Spectral	
0.10 Hz.....	15 $\mu\text{g}/\text{VHz}$
1 Hz.....	3 $\mu\text{g}/\text{VHz}$
10 Hz.....	1 $\mu\text{g}/\text{VHz}$
100 Hz.....	1 $\mu\text{g}/\text{VHz}$
Output impedance, max	400 Ω
Bias output voltage.....	8.0 VDC
Grounding.....	case isolated, internally shielded

Environmental

Temperature range	-50 to 80°C
Vibration limit.....	250 g peak
Shock limit	5,000 g peak
Electromagnetic sensitivity, equiv. g.....	150 $\mu\text{g}/\text{gauss}$
Sealing	hermetic
Base strain sensitivity	0.0005 g/ μstrain

Physical

Sensing element design.....	PZT ceramic / shear
Weight	205 grams
Case material.....	316L stainless steel
Mounting	1/4-28 tapped hole
Output connector.....	2 pin, MIL-C-5015 style
Mating connector	R6 type
Recommended cabling.....	J9T2A

Connector pin	Function
Shell	ground
A	power/ signal
B	common

Accessories supplied: SF6 mounting stud (International customers specify mounting requirements); calibration data (level 3)

Wilcoxon Research Inc
21 Firstfield Rd.
Gaithersburg, MD 20878
USA

Tel: 301 330 8811
Fax: 301 330 8873
Email: sensors@wilcoxon.com

www.meggitt.com

MEGGITT
smart engineering for
extreme environments