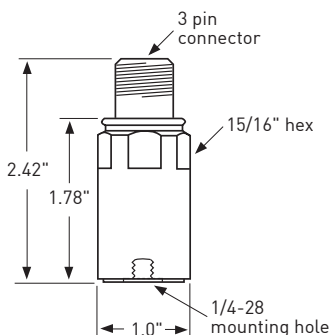


Model 793T-3 General purpose accelerometer with internal temperature sensor



Features

- Senses both acceleration and temperature
- Rugged design
- Hermetic seal
- Ground isolated
- ESD protection
- Reverse wiring



Dynamic

Sensitivity, ±5%, 25°C.....	100 mV/g
Acceleration range	80 g peak
Amplitude nonlinearity.....	1%
Frequency response:	
±5%.....	1.5 - 5,000 Hz
±10%.....	1.0 - 7,000 Hz
±3 dB	0.5- 15,000 Hz
Resonance frequency.....	24 kHz
Transverse sensitivity, max.....	5% of axial
Temperature response.....	-50°C -10%
	+120°C +5%
Temperature output sensitivity, ±5%	10 mV/K
Temperature measurement range.....	223 to 390°K (-50 to 120°C)

Electrical

Temperature sensor

Power requirement: voltage source	18 - 30 VDC
current regulating diode	2 - 4 mA
Grounding.....	case isolated, internally shielded

Accelerometer

Power requirement: voltage source	18 - 30 VDC
current regulating diode	2 - 10 mA

Electrical noise, equiv. g:

Broadband 2.5 Hz to 25 kHz.....	600 µg
Spectral 10 Hz.....	8 µg/√Hz
100 Hz.....	5 µg/√Hz
1000 Hz.....	5 µg/√Hz

Output impedance, max	100 Ω
Bias output voltage.....	12 VDC
Grounding.....	case isolated, internally shielded

Environmental

Temperature range	-50 to 120°C
Vibration limit.....	500 g peak
Shock limit	5,000 g peak
Electromagnetic sensitivity, equiv. g.....	10 µg/gauss
Sealing	hermetic
Base strain sensitivity	0.0005 g/µstrain

Physical

Sensing element design	PZT ceramic / compression
Weight	115 grams
Case material	316L stainless steel
Mounting	1/4-28 tapped hole
Output connector.....	3 pin, MIL-C-5015 style
Mating Connector	R6G type

Connector pin	Function
Shell	ground
A	accelerometer- power & signal
B	accelerometer- temperature / sensor common
C	temperature sensor- power & signal

Accessories supplied: SF6 mounting stud (International customers specify mounting requirements); calibration data (level 3)

Wilcoxon Research Inc
21 Firstfield Rd
Gaithersburg, MD 20878
USA

Tel: 301 330 8811
Fax: 301 330 8873
Email: sensors@wilcoxon.com

www.meggitt.com

MEGGITT
smart engineering for
extreme environments