

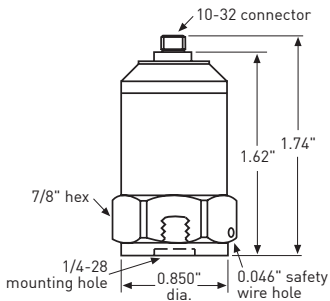


## Model 376/CC701HT system Accelerometer/charge amplifier system



### Features

- Industrial ruggedness
- Charge output
- Ground isolated
- 260°C operation



Model 376

### Dynamic

|                                    |                |
|------------------------------------|----------------|
| Sensitivity, 25°C .....            | 100 mV/g, ±10% |
| Acceleration range .....           | 50 g           |
| Amplitude linearity, to 50 g ..... | 1%             |
| Frequency response:                |                |
| ±10% .....                         | 2 - 10,000 Hz  |
| ±3 dB .....                        | 1 - 15,000 Hz  |
| Resonance frequency .....          | 30 kHz         |
| Transverse sensitivity .....       | 7% of axial    |
| Temperature response:              |                |
| -50°C .....                        | -10%           |
| +260°C .....                       | +20%           |

### Electrical

|                                |               |  |
|--------------------------------|---------------|--|
| Power requirement:             |               |  |
| voltage source .....           | 18 - 30 VDC   |  |
| current regulating diode ..... | 2 - 10 mA     |  |
| Electrical noise, equiv. g:    |               |  |
| Broadband .....                | 0.001 g peak  |  |
| Output impedance .....         | <100Ω         |  |
| Bias output voltage .....      | 12 VDC        |  |
| Grounding .....                | case isolated |  |

### Environmental

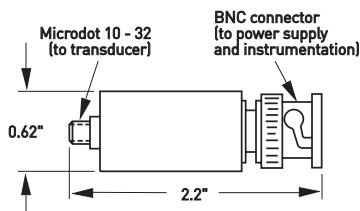
|                       |                 |
|-----------------------|-----------------|
| Temperature range:    |                 |
| 376 .....             | -50 to 260°C    |
| CC701HT .....         | -40 to 100°C    |
| Vibration limit ..... | 500 g peak      |
| Shock limit .....     | 5000 g peak     |
| Base strain .....     | 0.002 g/μstrain |

### Physical

|                                     |                           |
|-------------------------------------|---------------------------|
| Sensing element design .....        | PZT ceramic / compression |
| Weight:                             |                           |
| 376 .....                           | 75 grams                  |
| CC701HT .....                       | 40 grams                  |
| Case material .....                 | 316L stainless steel      |
| Mounting .....                      | 1/4-28 tapped hole        |
| Mating connector .....              | BNC jack                  |
| Standard cabling <sup>1</sup> ..... | R1-1-J3-12                |

| Connector pin | Function       |
|---------------|----------------|
| Shell         | common         |
| Pin           | power / signal |

Notes: <sup>1</sup> Other cable lengths are available  
 Accessories supplied: Calibration data (level 3)



Model CC701HT

Wilcoxon Research Inc  
 21 Firstfield Rd  
 Gaithersburg, MD 20878  
 USA

Tel: 301 330 8811  
 Fax: 301 330 8873

Email: sensors@wilcoxon.com

www.meggitt.com