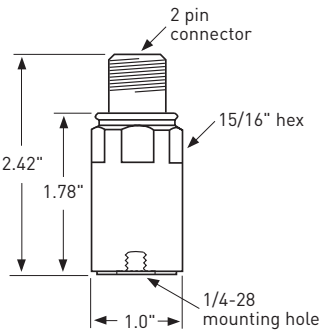




**Model ED-793
TEDS premium PiezoFET® accelerometer**

Features

- Contains transducer electronic data sheet (IEEE 1451 - TEDS)
- Self-identifying
- Corrosion resistant
- Ground isolated
- Rugged design
- Hermetic seal
- ESD protection
- Reverse wiring protection



Benefits

- Simplifies troubleshooting
- Reduces safety risks - no more climbing on machines to verify connections
- Reduces costs for set-up and tear-down
- No need to recalibrate replacement units - data acquisition system will recalibrate itself
- Designed to integrate with wireless transmitters and receivers
 - eliminates long cables
 - reduces installation, maintenance and upgrade costs of measurement and control systems

Dynamic

Sensitivity, ±5%, 25°C.....	100 mV/g
Acceleration range	80 g peak
Amplitude nonlinearity.....	1%
Frequency response:	
±5%.....	1.5 - 5,000 Hz
±10%.....	1.0 - 7,000 Hz
±3 dB	0.5 - 15,000 Hz
Resonance frequency	25 kHz
Transverse sensitivity, max.....	5% of axial
Temperature response:	
-50°C.....	-10%
+120°C.....	+5%

Electrical

Power requirement:	voltage source.....	18 - 30 VDC
	current regulating diode	2 - 10 mA
Electrical noise, equiv. g:		
	Broadband 2.5 Hz to 25 kHz.....	600 µg
	Spectral 10 Hz.....	8 µg/√Hz
	100 Hz.....	5 µg/√Hz
	1000 Hz.....	5 µg/√Hz
Output impedance, max		100 Ω
Bias output voltage.....		12 VDC
Grounding.....		case isolated, internally shielded

Environmental

Temperature range ¹	-50 to 120°C
Vibration limit.....	500 g peak
Shock limit	5,000 g
Sealing	hermetic
Base strain sensitivity	0.0005 g/µstrain

Physical

Sensing element design.....	PZT ceramic / compression
Weight	117 grams
Case material.....	316L stainless steel
Mounting	1/4 - 28 tapped hole
Output connector.....	2 pin, MIL-C-5015 style
Mating connector	R6 type
Recommended Cable	J10 / J9T2A

Connector pin	Function	Cable conductor color
Shell	ground	Shield
A	power/ signal	White
B	common	Black

Notes: ¹Temperature range is limited to -40°C to +85°C when using the IEEE 1451 - TEDS function.
 Accessories supplied: SF6 mounting stud (International customers specify mounting requirements); TEDS calibration data

Wilcoxon Research Inc
 21 Firstfield Rd
 Gaithersburg, MD 20878
 USA

Tel: 301 330 8811
 Fax: 301 330 8873
 Email: sensors@wilcoxon.com

www.meggitt.com

MEGGITT
 smart engineering for
 extreme environments

