



Model 793 Premium PiezoFET® accelerometer



Features

- Corrosion resistant
- Ground isolated
- Rugged design
- Hermetic seal
- ESD protection
- Reverse wiring protection

Dynamic

Sensitivity, ±5%, 25°C.....	100 mV/g
Acceleration range	80 g peak
Amplitude nonlinearity.....	1%
Frequency response:	
±5%.....	1.5 - 5,000 Hz
±10%.....	1.0 - 7,000 Hz
±3 dB	0.5 - 15,000 Hz
Resonance frequency.....	25 kHz
Transverse sensitivity, max.....	5% of axial
Temperature response:	
-50°C.....	-10%
+120°C.....	+5%

Electrical

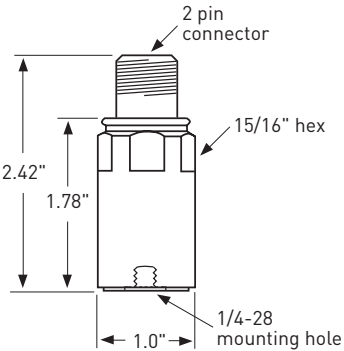
Power requirement:	voltage source.....	18 - 30 VDC
	current regulating diode	2 - 10 mA
Electrical noise, equiv. g:		
	Broadband 2.5 Hz to 25 kHz.....	600 µg
	Spectral 10 Hz.....	8 µg/√Hz
	100 Hz.....	5 µg/√Hz
	1000 Hz.....	5 µg/√Hz
Output impedance, max		100 Ω
Bias output voltage.....		12 VDC
Grounding.....		case isolated, internally shielded

Environmental

Temperature range	-50 to 120°C
Vibration limit.....	500 g peak
Shock limit	5,000 g
Sealing	Hermetic
Base strain sensitivity	0.0005 g/µstrain

Physical

Sensing element design	PZT ceramic / compression
Weight	112 grams
Case material	316L stainless steel
Mounting	1/4 - 28 tapped hole
Output connector.....	2 pin, MIL-C-5015 style
Mating connector	R6 type
Recommended cable.....	J10 / J9T2A



Connector Pin	Function	Cable conductor color
Shell	ground	shield
A	power/ signal	white
B	common	black

Accessories supplied: SF6 mounting stud (International customers specify mounting requirements); calibration data (level 3)
Options: Intrinsic safety certifications

Wilcoxon Research Inc
21 Firstfield Rd
Gaithersburg, MD 20878
USA

Tel: 301 330 8811
Fax: 301 330 8873
Email: sensors@wilcoxon.com

www.meggitt.com

