

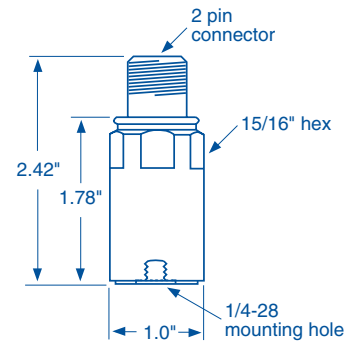
FireFET® Model 793-6

High Temperature, Internally Amplified Accelerometer



FEATURES:

- High temperature operation
- Rugged design
- Corrosion resistant
- Hermetically sealed
- Ground isolated
- ESD protection
- Miswiring protection
- 150°C operation



DYNAMIC

Sensitivity, ±10%, 25°C	100 mV/g
Acceleration Range	50 g peak
Amplitude Nonlinearity	1%
Frequency Response:	
±5%	4 - 5,000 Hz
±10%	3 - 7,000 Hz
±3dB	1 - 12,000 Hz
Resonance Frequency	20 kHz
Transverse Sensitivity, max	5% of axial
Temperature Response	-50°C -5%
	+0°C +2%
	+150°C -5%

ELECTRICAL

Power Requirement:	voltage source	18 - 30 VDC
	current regulating diode	2 - 4 mA
Electrical Noise, equiv. g, (µg/√Hz):		
Broadband	2.5 Hz to 25 kHz	0.3 mg
		25°C 150°C
Spectral at	10 Hz	10 30
	100 Hz	3 10
	1,000 Hz	2 6
Output Impedance, max.		100 Ω
Bias Output Voltage:		
at 25°C		12 VDC
at 150°C		11 VDC
Grounding		case isolated, internally shielded

ENVIRONMENTAL

Temperature Range (mounting surface)	-50 to 150°C
Vibration Limit	500 g peak
Shock Limit	2,500 g peak
Electromagnetic Sensitivity, equiv. g	15 µg/gauss
Sealing	Hermetic
Base Strain Sensitivity	0.0005 g/µstrain

PHYSICAL

Sensing Element Design	PZT ceramic / compression
Weight	135 grams
Case Material	316L stainless steel
Mounting	1/4 - 28 tapped hole
Output Connector	2 pin, MIL-C-5015 style
Mating Connector	R6 type
Recommended cabling	J9T2A

CONNECTOR PIN	FUNCTION
SHELL	ground
A	power/ signal
B	common

ACCESSORIES SUPPLIED: SF6 mounting stud (International customers specify mounting requirements); Calibration data (level 3).

