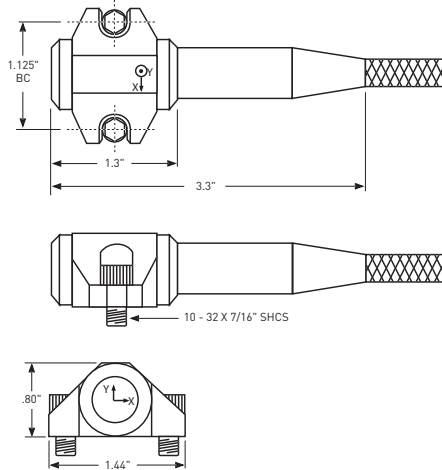




Model 757 Biaxial, low profile, underwater accelerometer

Features

- Rugged
- General purpose underwater accelerometer
- Industrial
- Easy to mount
- Bi-axial measurements



Dynamic

Sensitivity, $\pm 10\%$, 25°C.....	100 mV/g
Acceleration range	50 g peak
Amplitude nonlinearity.....	1%
Frequency response:	
Both channels, $\pm 10\%$	2 - 2,000 Hz
Transverse sensitivity, max.....	5% of axial
Temperature response:	
-20°C.....	-5%
+90°C.....	+5%

Electrical

Power requirement: voltage source.....	18 - 30 VDC
current regulating diode	2 - 10 mA
Electrical noise, equiv. g, nominal:	
Broadband 2.5 Hz to 25 kHz.....	100 μ g
Spectral 10 Hz.....	10 μ g/√Hz
100 Hz.....	1 μ g/√Hz
1000 Hz.....	0.5 μ g/√Hz
Output impedance, max.	100 Ω
Bias output voltage, nominal.....	12 VDC
Grounding.....	case isolated, internally shielded

Environmental

Temperature range	-50 to 80°C
Hydrostatic pressure, max.	650 psi
Vibration limit.....	500 g peak
Shock limit	5000 g peak
Electromagnetic sensitivity, equiv. g.....	100 μ g/gauss
Base strain sensitivity	0.002 g/ μ strain

Physical

Weight	110 grams
Case material	316L stainless steel
Mounting	Two 10-32 x 7/16 SHCS on 1.125 bolt circle
Recommended cable	J81S, 10 ft., 2 conductor shielded, polyurethane jacket, stainless steel braid

Connector	Function
White	x
Black	y
Shield	common

Accessories supplied: Two 10-32 x 7/16 SHCS; calibration data
 Accessories available: Power supplies, amplifiers, signal conditioners

Wilcoxon Research Inc
 21 Firstfield Rd
 Gaithersburg, MD 20878
 USA

Tel: 301 330 8811
 Fax: 301 330 8873
 Email: sensors@wilcoxon.com

www.meggitt.com

MEGGITT
 smart engineering for
 extreme environments