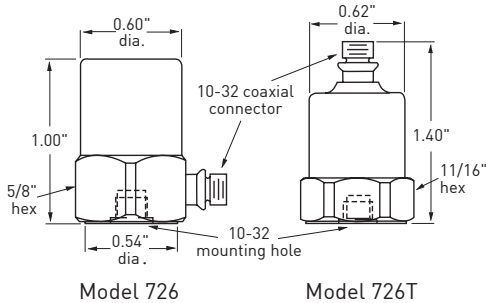




Models 726/726T Small size piezoelectric accelerometers



- Features**
- Wide frequency range
 - Low noise floor
 - Hermetically designed
 - Temperature compensated
 - Wide dynamic range
 - Small size, lightweight
 - reverse wiring protection



Dynamic

Sensitivity, ±5%, 25°C.....	100 mV/g
Acceleration range	80 g peak
Amplitude nonlinearity.....	1%
Frequency response:	
±5 %	2.0 - 10,000 Hz
±10 %	1.0 - 12,000 Hz
±3 dB	0.6 - 15,000 Hz
Resonance frequency, mounted, nominal.....	32 kHz
Transverse sensitivity, max.....	5% of axial
Temperature response:	
-50°C.....	-10%
+120°C.....	+5%

Electrical

Power requirement: voltage source.....	18-30 VDC
current regulating diode	2 - 10 mA
Electrical noise, equiv. g, nominal:	
Broadband 2.5 Hz to 25 kHz.....	60 µg
Spectral	
10 Hz.....	8.0 µg/√Hz
100 Hz.....	0.8 µg/√Hz
1,000 Hz.....	0.3 µg/√Hz
10,000 Hz.....	0.2 µg/√Hz
Output impedance, max.	100Ω
Bias output voltage, nominal.....	12 VDC
Grounding:	
Model 726 (side connector)	case grounded
Model 726T (top connector).....	base isolated

Environmental

Temperature range	-50 to 120°C
Vibration limit.....	500 g peak
Shock limit	5,000 g peak
Electromagnetic sensitivity @ 60 Hz.....	40 µg/gauss
Base strain sensitivity	0.002 g/µstrain

Physical

Weight: Model 726	30 grams
Model 726T	34 grams
Case material	316L stainless steel
Mounting	10-32 tapped hole
Output connector.....	10-32 coaxial
Cabling: mating connector	Wilcoxon R1 (10-32 co-axial)
standard cable.....	J93, coaxial, Teflon® jacket, 30 pF/ft

Accessories supplied: SF1 mounting stud, calibration data (Level 3)
 Accessories available: R1-2-J93-10 cable assembly, magnetic mounting bases, SF5 cementing studs, SF4 isolation mounting bases, power supplies, amplifiers, signal conditioners

Wilcoxon Research Inc
 21 Firstfield Rd
 Gaithersburg, MD 20878
 USA

Tel: 301 330 8811
 Fax: 301 330 8873
 Email: sensors@wilcoxon.com

www.meggitt.com

MEGGITT
 smart engineering for
 extreme environments