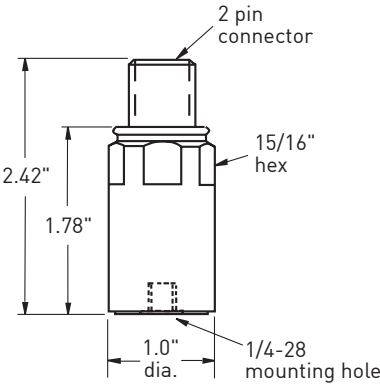


Model 793L Low frequency accelerometer



Features

- High sensitivity
- Ultra low-noise electronics for clear signals at very low vibration levels
- Low pass filtered to attenuate high frequencies
- Hermetic seal
- ESD protection
- Reverse wiring protection



Dynamic

Sensitivity, ±5%, 25°C.....	500 mV/g
Acceleration range	10 g peak
Amplitude nonlinearity.....	1%
Frequency response:	
-5%.....	0.6 - 700 Hz
-10%	0.4 - 1,000 Hz
-3 dB	0.2 - 2,300 Hz
Resonance frequency	15 kHz
Transverse sensitivity, max.....	5% of axial
Temperature response.....	-50°C -10%
	+120°C +10%

Electrical

Power requirements: voltage source.....	18 - 30 VDC
current regulating diode	2 - 10 mA
Electrical noise, equiv. g:	
Broadband 2.5 Hz to 25 kHz.....	8.0 µg
Spectral 2 Hz.....	2.0 µg/√Hz
10 Hz.....	0.4 µg/√Hz
100 Hz.....	0.2 µg/√Hz
Output impedance, max	100Ω
Bias output voltage.....	10 VDC
Grounding.....	case isolated, internally shielded

Environmental

Temperature range	-50 to 120°C
Vibration limit.....	250 g peak
Shock limit	5,000 g peak
Electromagnetic sensitivity, equiv. g.....	20 µg/gauss
Sealing	hermetic
Base strain sensitivity.....	0.0001 g/µstrain

Physical

Sensing element design.....	PZT ceramic / compression
Weight	142 grams
Case material.....	316L stainless steel
Mounting	1/4"-28 tapped hole
Output connector.....	2 pin, MIL-C-5015 style
Mating connector	R6 type
Recommended cabling.....	J9T2A

Connector pin	Function
Shell	ground
A	power/ signal
B	common

Accessories supplied: SF6 mounting stud (International customers specify mounting requirements); calibration data (level 3)
Options: Temperature sensor intrinsic safety certification

Wilcoxon Research Inc
21 Firstfield Rd
Gaithersburg, MD 20878
USA

Tel: 301 330 8811
Fax: 301 330 8873
Email: sensors@wilcoxon.com

www.meggitt.com

