

Variable Reluctance Speed Sensor E58A25

GREEN LINE
INDUSTRIAL SPEED SENSORS

Product ID

Type #	Product #	Drawing #
E58A25	385Z-05541	113.588 Rev.1

General

Function The E58A25 series variable reluctance (VR) speed sensors consist of an iron core, an inductive coil, and a permanent magnet. A ferrous pole wheel passing the sensor face changes the magnetic field strength, resulting in an AC voltage being induced in the coil. The frequency of the output signal is proportional to the speed of the moving target. The amplitude of the signal depends on speed, air gap, geometry of target, magnetic properties of target material, and the electrical load. VR sensors, also known as passive or electromagnetic sensors, do not require an external supply.

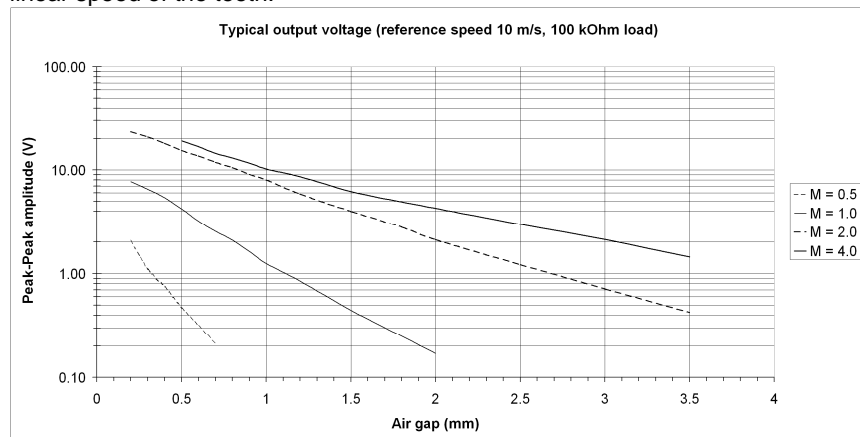
Technical data

Coil properties

- Inductance @ 1 kHz: 170 mH ± 10%
- Resistance: 850 Ohm ± 10%
- Magnet polarity: north pole towards front face
- Pole piece: diameter 2.7 mm

Polarity Upon approach of ferrous metal, the signal pin is positive with respect to GND.

Signal output The signal frequency is proportional to the target speed. The signal amplitude shown in the figure is valid for a load of 100 kOhm, and is affected by air gap, target geometry and material. It is also proportional to the linear speed of the teeth.

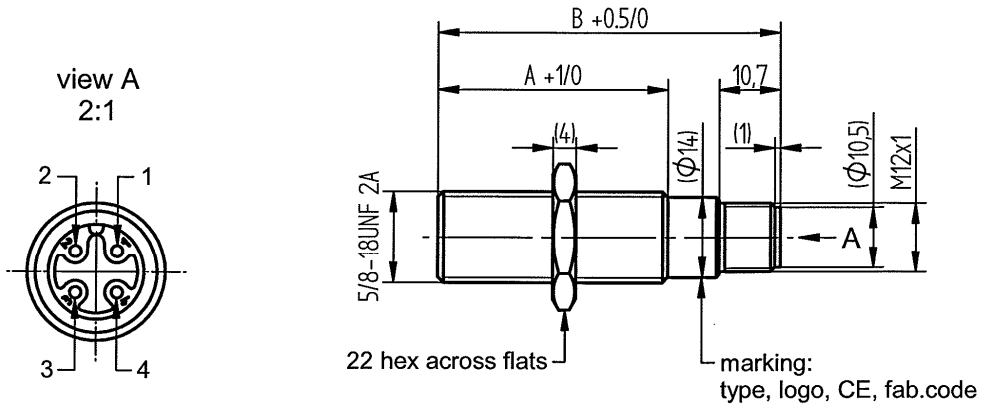


Frequency range	Up to 20 kHz, lower limit depending on application
Housing	5/8"-18 UNF-2A, tightening torque: max. 35 Nm
Connection	Connector: M12x1 thread, 4 pins, black
Protection	Sensor head: IP68 Connector: IP67
Insulation	Housing and electronics galvanically isolated (Test: 500 V, 50 Hz for 1 minute)
Pole wheel	Prerequisite: Toothed wheel of a ferrous material (e.g. Steel 1.0036). Optimal performance with <ul style="list-style-type: none"> • Involute gear • Tooth width > 10 mm • Side offset < 0.2 mm • Eccentricity < 0.2 mm
Air gap between sensor and	Depending on lowest circumferential speed which has to be detected and on

pole wheel	trigger level. See figure.
Electromagnetic compatibility (EMC)	Please contact Jaquet for further details.
Vibration & shock immunity	Jaquet Greenline sensors are approved for rough environments. Please contact Jaquet for further details.
Operating temperature	-40°C...125°C

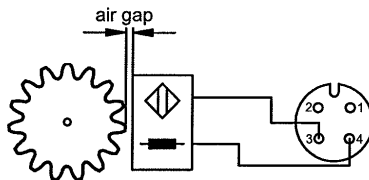
Further Information

Safety	All mechanical installations must be carried out by an expert. General safety requirements have to be met.
Installation	<p>The sensor has to be aligned to the pole wheel according to the sensor drawing independent of its rotational orientation. Deviations in positioning may affect the performance and decrease the noise immunity of the sensor. During installation, the smallest possible pole wheel to sensor gap should be set. The gap should however be set to prevent the face of the sensor ever touching the pole wheel. A sensor should be mounted with the middle of the face side over the middle of the pole wheel. Dependent upon the wheel width, a certain degree of axial movement is permissible. However, the middle of the sensor must be at minimum in a distance of 3 mm from the edge of the pole wheel under all operating conditions.</p> <p>A solid and vibration free mounting of the sensor is important. Eventual sensor vibration relative to the pole wheel can induce additional output pulses. The sensors are insensitive to oil, grease etc. and can be installed in arduous conditions.</p>
Maintenance	Product cannot be repaired.
Transport	Product must be handled with care to prevent damage of the front face.
Storage	Product must be stored in dry conditions. The storage temperature corresponds to the operation temperature.
Disposal	Product must be disposed of properly, it must not be disposed as domestic waste.



part no.	Jaquet	A	B
385Z-05321	E58A	40	59.7
385Z-05541	E58A25	64	83.7
385Z-05542	E58A40	102	121.1

connecting diagram:



contact configuration:
1 not connected
2 not connected
3 GND
4 signal (~)

mates with straight plug M12x1, 4 pins

FOR TECHNICAL SPECIFICATIONS SEE OPERATING INSTRUCTIONS

dimensions in mm			
part no.	material / remarks		application
-	-	-/-	-
-	-	-/-	-
-	-	-/-	-
-	-	-/-	-
1	-	06.11.06/ebi	aktualisiert im Rahmen der Greenline Erweiterung
rev.	ecn.	date/signature	change description
 Thannerstrasse 15 CH-4009 Basel www.jaquet.com			part name speed sensor Greenline E58A
first angle projection 		drawn 20.09.2006 ebi	replacement for
scale 1:1		approved 29.05.07 	format A4
drawing no. 113.588		rev. 1	file name 113588_rev1dff